



## KÖSTER Roof Drain T DN 100 vertical

Technical Data Sheet RT 914 010 S

Issued: 2019-10-07

### Roof drain with foamed-in KÖSTER TPO-F cuff, vertical, with gravel trap

#### Features

- For main and emergency drainage
- Can be combined with KÖSTER T extension element
- Thermally insulated
- Excellent weathering stability (UV / IR Radiation)
- Resistant to common influences from environmental Pollution
- Shatterproof foliage / gravel trap
- hock and impact resistant
- Durable
- Excellent functionality thanks to tested, standard-compliant drain values

#### Technical Data

- Body: polyurethane, yellow
- Connection cuff: KÖSTER TPO 2.0 F
- Dimension cuff: 495 x 495 mm
- Connection diameter: DN 110
- Diameter gully base: 250 mm
- Diameter mounting opening: 250 mm
- Pipe length: 210 mm
- Diameter gravel trap: 156 mm
- Fire behavior: Class B2
- Temperature resistance: - 20 ° C / + 80 °

#### Drain values according to EN 1253:

##### Water accumulation height in mm

Expiration values in l/s

5	10	15	20	25	30	35	40	45	50	55	60	65
0,6	1,5	2,3	3,3	4,3	5,2	6,1	7,3	8,5	9,4	10,3	11,0	11,7

#### Fields of Application

Roof drain with KÖSTER TPO-F cuff for the drainage of flat roofs.

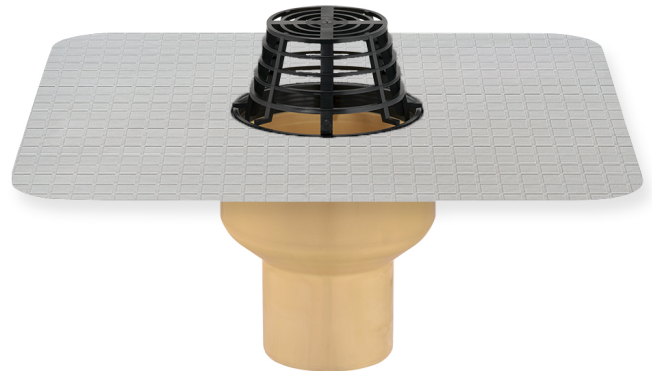
#### Application

The connection of the KÖSTER roofing membranes made of TPO and ECB takes place by means of hot air welding to the TPO F-cuff. The KÖSTER roof drain is installed in accordance with the KÖSTER installation instructions, the KÖSTER TPO installation instructions and the technical manual of KÖSTER BAUCHEMIE AG.

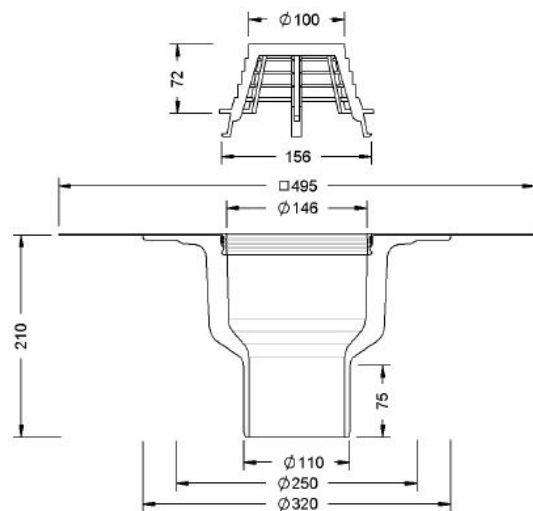
#### Packaging

RT 914 010 S piece

#### Safety



#### Other



#### Related products

KÖSTER ECB 2.0  
KÖSTER ECB 2.0 F  
KÖSTER TPO 1.5  
KÖSTER TPO 1.5 SK (FR)  
KÖSTER TPO 1.8

Prod. code RE 820  
Prod. code RE 820 F  
Prod. code RT 815  
Prod. code RT 815 SK (FR)  
Prod. code RT 818

The information contained in this technical data sheet is based on the results of our research and on our practical experience in the field. All given test data are average values which have been obtained under defined conditions. The proper and thereby effective and successful application of our products is not subject to our control. The installer is responsible for the correct application under consideration of the specific conditions of the construction site and for the final results of the construction process. This may require adjustments to the recommendations given here for standard cases. Specifications made by our employees or representatives which exceed the specifications contained in this technical guideline require written confirmation. The valid standards for testing and installation, technical guidelines, and acknowledged rules of technology have to be adhered to at all times. The warranty can and is therefore only applied to the quality of our products within the scope of our terms and conditions, not however, for their effective and successful application. This guideline has been technically revised; all previous versions are invalid.

KÖSTER BAUCHEMIE AG • Dieselstraße 1-10 • D-26607 Aurich • Tel. 04941/9709-0 • Fax -40 • info@koester.eu • www.koester.eu

KÖSTER TPO 2.0  
KÖSTER TPO 2.0 F  
KÖSTER TPO 2.0 F (FR)  
KÖSTER TPO 2.0 SK (FR)

Prod. code RT 820  
Prod. code RT 820 F  
Prod. code RT 820 F (FR)  
Prod. code RT 820 SK (FR)

KÖSTER T Roof Drain Extension  
KÖSTER More

)  
Prod. code RT 914 014  
Prod. code RT 914 016

The information contained in this technical data sheet is based on the results of our research and on our practical experience in the field. All given test data are average values which have been obtained under defined conditions. The proper and thereby effective and successful application of our products is not subject to our control. The installer is responsible for the correct application under consideration of the specific conditions of the construction site and for the final results of the construction process. This may require adjustments to the recommendations given here for standard cases. Specifications made by our employees or representatives which exceed the specifications contained in this technical guideline require written confirmation. The valid standards for testing and installation, technical guidelines, and acknowledged rules of technology have to be adhered to at all times. The warranty can and is therefore only applied to the quality of our products within the scope of our terms and conditions, not however, for their effective and successful application. This guideline has been technically revised; all previous versions are invalid.

**KÖSTER BAUCHEMIE AG • Dieselstraße 1-10 • D-26607 Aurich • Tel. 04941/9709-0 • Fax -40 • [info@koester.eu](mailto:info@koester.eu) • [www.koester.eu](http://www.koester.eu)**